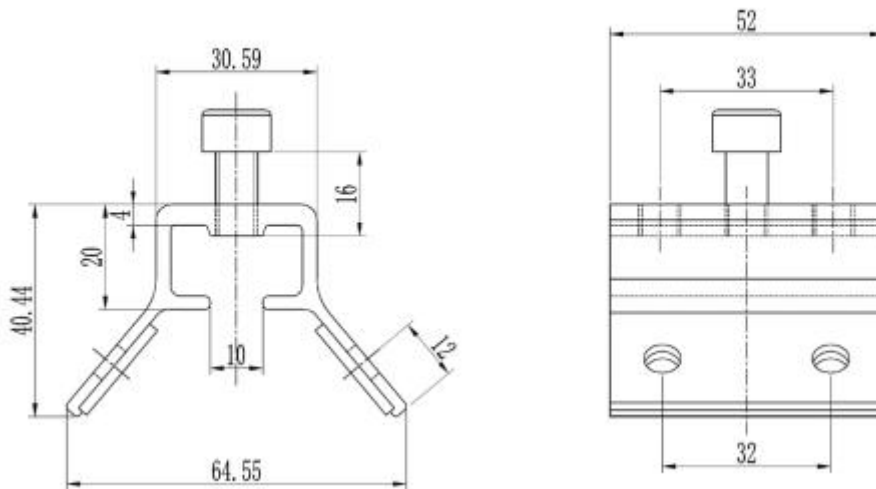


## Product Specification

HOP-TRB-B06 Ver: 1.0



<b>Name</b>	RIB ROOF BRACKET
<b>Stock Code</b>	TRB-B06
<b>Weight(g)</b>	112

<b>BOM</b>	HOP-H53-0052 (AL6005-T5) x 1
	HOP-K38-0052 (EPDM) x 1
	M8*16 Hexagon socket head screws (A2-70) × 1
	St6.3*25 Hexagon tapping and self-drilling screws (SUS410) x 4

<b>Packing</b>	40pcs
<b>Carton size</b>	260×205×180