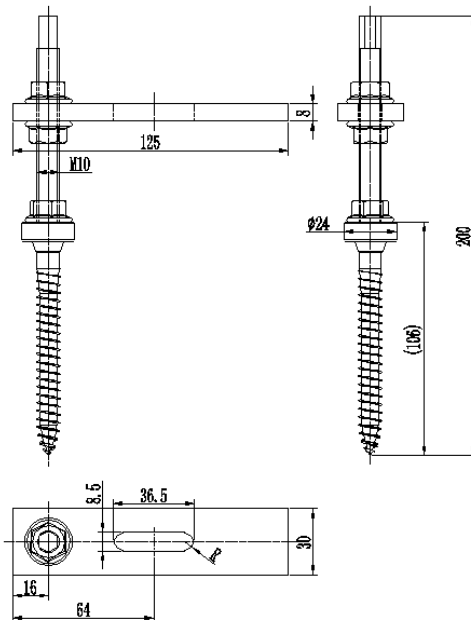


## Product Specification

HOP-DS-200M10A1-S05 Ver: 1.0



<b>Name</b>	Double Threaded Rafter Screws M10*200mm (Stainless Steel support)
<b>Stock Code</b>	DS-200M10A1-S05
<b>Weight(g)</b>	285
<b>BOM</b>	HOP-D005-0001 (SUS304) x 1 $\Phi 24 \times 13.5$ Rubber mat (EPDM) x 1 HOP-L23-200 (SUS304) x1 M10 flange Hexagon Nuts (SUS304) x 2 M10 Hexagon Nuts (SUS304) x 1 D10 plain washers(SUS304) x1
<b>Packing</b>	30pcs
<b>Carton size</b>	260 $\times$ 205 $\times$ 180